

Figure 10-1: Location of the Load Disconnect Switch Inside the Cab

Output Responses to a SAM Failure

The SAM Cab and SAM Chassis have specific output responses to each type of failure mode.

See **Table 10-1** for the SAM Cab and SAM Chassis output responses when the:

- ignition switch is in the ON position, and the SAM Cab has lost main power supply
or
- ignition switch is in the ON position, and the SAM Cab is not working due to a microprocessor failure

SAM Output Responses to a SAM Cab Failure		
Module	Output	Response
SAM Cab	Dash panel lights, 12 V	Flashing
	Low-beam headlights	On
	Clearance lights	Flashing
	Identification lights	Off
	Side marker lights	Flashing
	Engine ECU (powertrain PDM), ignition	On
	Starter relay	Cannot start vehicle
	Turn signal indicators, ICU	Off
SAM Chassis	Trailer taillights	Flashing
	Rear stop lights	Flashing

Table 10-1: SAM Output Responses to a SAM Cab Failure

See **Table 10-2** for the SAM Cab and SAM Chassis output responses when the:

- ignition switch is in the ON position, and the SAM Chassis has lost main power supply **or**
- ignition switch is in the ON position, and the SAM Chassis is not working due to a microprocessor failure

SAM Output Responses to a SAM Chassis Failure		
Module	Output	Response
SAM Cab	Dash panel lights, 12 V	Flashing
	Low-beam headlights	On
	Clearance lights	Flashing
	Identification lights	Flashing
	Side marker lights	Flashing
	Engine ECU (powertrain PDM), ignition	On
	Starter relay	Can start vehicle
	Turn signal indicators, ICU	Flashing alternately
SAM Chassis	Trailer taillights	Flashing
	Rear stop lights	Flashing

Table 10-2: SAM Output Responses to a SAM Chassis Failure

See **Table 10-3** for the SAM Cab and SAM Chassis output responses when the ignition switch is in the ON position, and the SAM Cab and SAM Chassis are unable to communicate with each other.

Cabin CAN Datalink Failure		
Module	Output	Response
SAM Cab	Dash panel lights, 12 V	Flashing
	Low-beam headlights	On
	Clearance lights	Flashing
	Identification lights	Flashing
	Side marker lights	Flashing
	Engine ECU (powertrain PDM), ignition	On
	Starter relay	Can start vehicle
	Turn signal indicators, ICU	Flashing alternately
SAM Chassis	Trailer taillights	Flashing
	Rear stop lights	Flashing

Table 10-3: Cabin CAN Datalink Failure

See **Table 10-4** for the SAM Cab and SAM Chassis output responses when the:

- SAMs are functioning normally
- ignition switch is in the ON position **and**
- load disconnect switch is open (off position)

SAM Output Responses When the Load Disconnect Switch is Open		
Module	Output	Response
SAM Cab	Dash panel lights, 12 V	Flashing
	Low-beam headlights	On
	Clearance lights	Flashing
	Identification lights	Off
	Side marker lights	Flashing
	Engine ECU (powertrain PDM), ignition	On
	Starter relay	Cannot start vehicle
	Turn signal indicators, ICU	Off
SAM Chassis	Trailer taillights	Off
	Rear stop lights	Off

Table 10-4: SAM Output Responses When the Load Disconnect Switch is Open

See **Table 10-5** for the SAM Cab and SAM Chassis output responses when the ignition switch is in the off position. Regardless of the previous failure mode, the emergency power supply feature is deactivated when the ignition switch is in the off position.

SAM Output Responses When the Ignition Switch is in the Off Position		
Module	Output	Response
SAM Cab	Dash panel lights, 12 V	Off
	Low-beam headlights	
	Clearance lights	
	Identification lights	
	Side marker lights	
	Engine ECU (powertrain PDM), ignition	
	Starter relay	
	Turn signal indicators, ICU	
SAM Chassis	Rear turn signal lights	Off
	Trailer taillights	
	Rear stop lights	

Table 10-5: SAM Output Responses When the Ignition Switch is in the Off Position

See **Figure 10-2** for the location of the exterior lights.

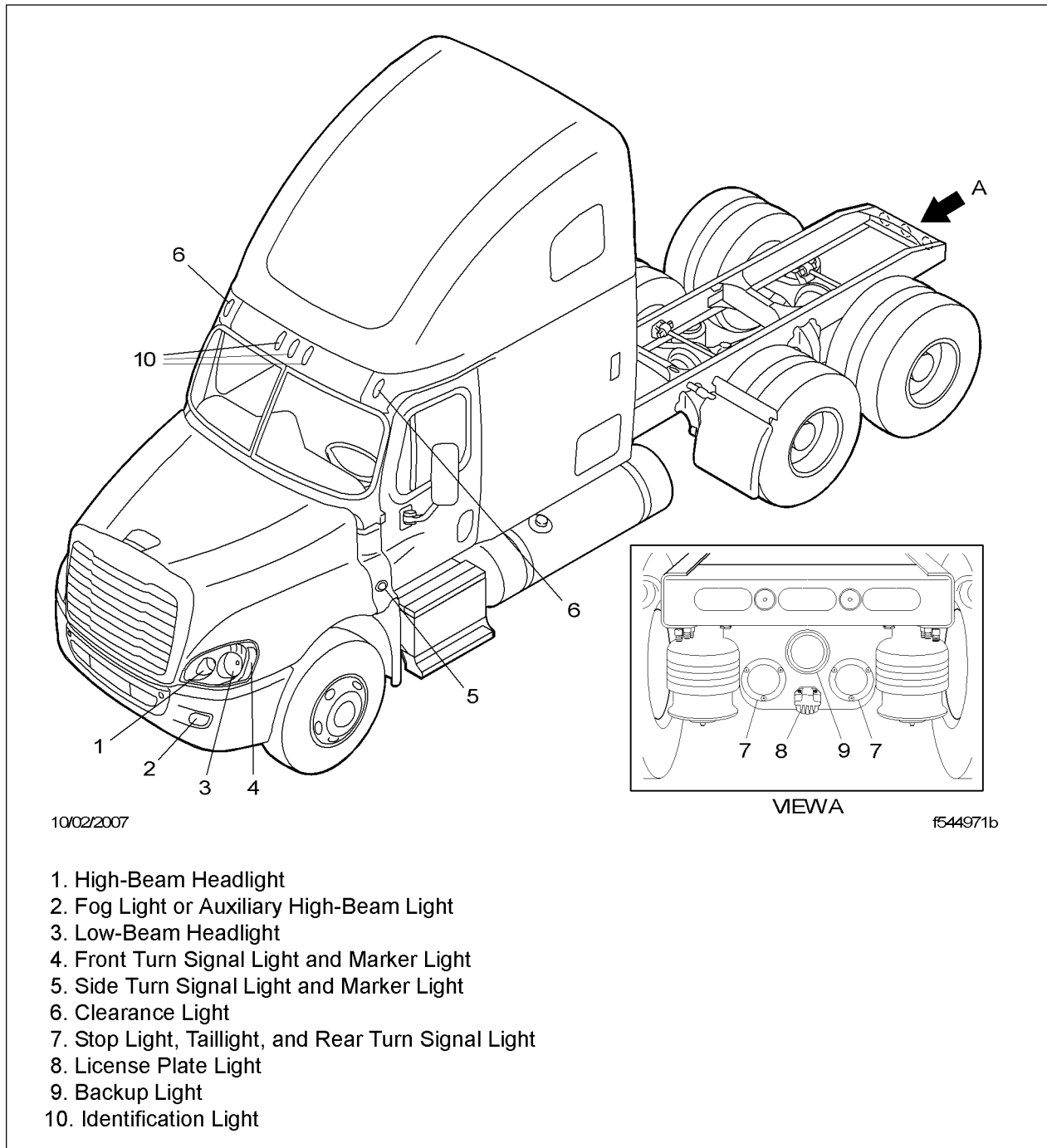


Figure 10-2: Exterior Lights